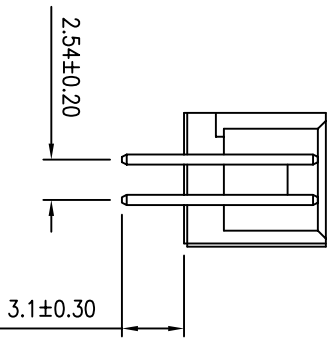
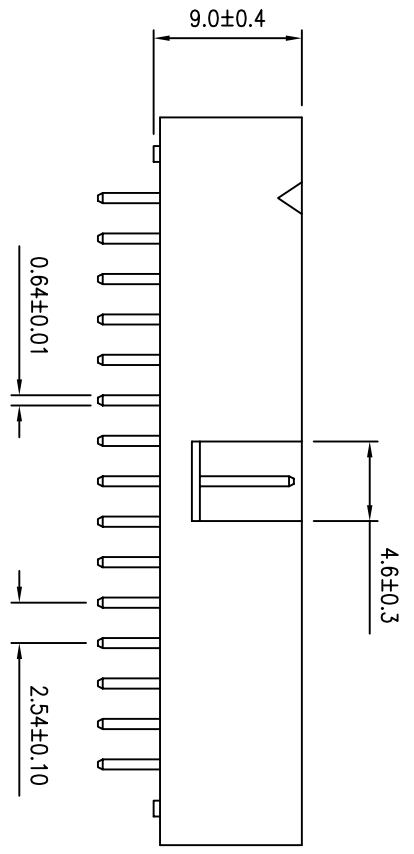
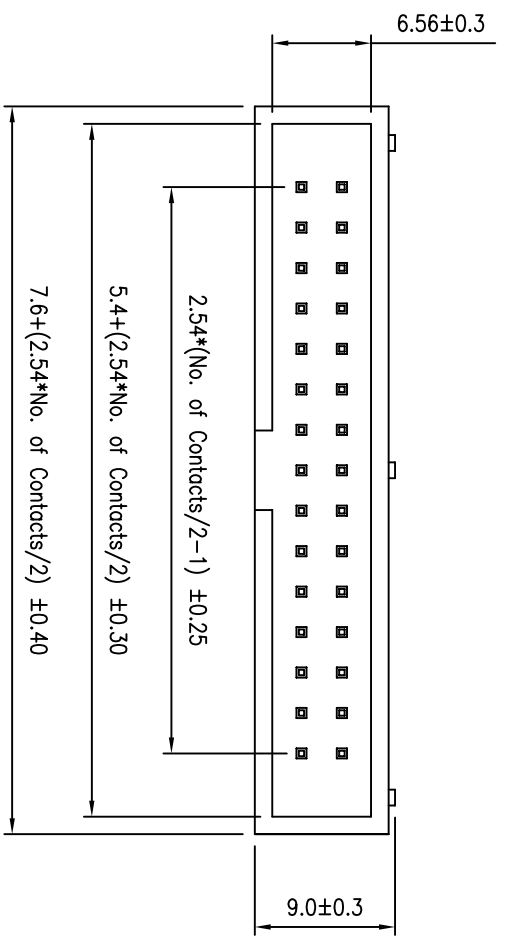


REV	ECN NO.	APP.	DATE
A	NEW DESIGN		



SPECIFICATION

- * Current Rating:
3 A
- * Withstanding Voltage:
500 VAC (1 min.)
- * Insulation Resistance:
1000 Megohms MIN.
- * Contact Resistance:
30 Milliohms MAX.
- * Operating Temperature:
-40°C to +85°C
- * Retention Force:
1 kg MIN.

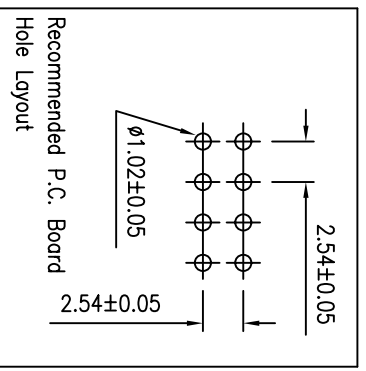
ORDER INFORMATION

BH03 - XX - G1
 Series | Plating:
 All Gold

No. of pos
006 026
008 030
010 034
012 040
014 050
016 060
020 064

MATERIAL

- * Contact: Brass ,
0.64mm Square post
- * Insulator: PBT & 30% G.F.
- * Plating: Gold



SHINHWA TECH CO.,LTD

SCALE:		TITLE:		PART NO.:	
0.0±	0.00±	2.54x2.54MM (.100"*.100")		APP BY:	
0.000±	UNIT: MM	BOX HEADER		CHK BY:	
MATERIAL: PBT + 30% GF		DWG. NO. BH03		DR BY:	